



## Duct Assembly Kit--for ComfortGeni—Model: Geni 4x booster fan.

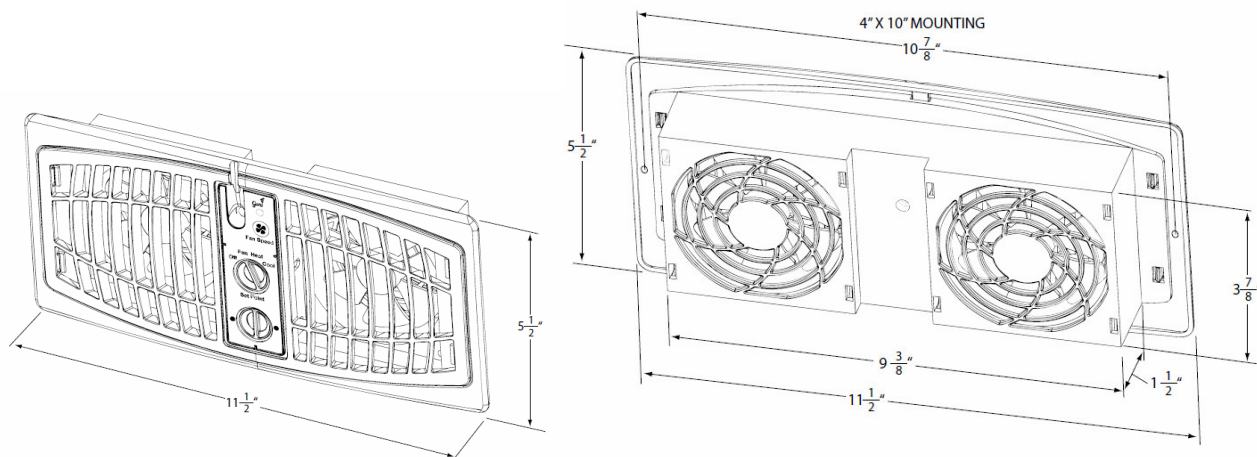
The purpose of the duct kit is to facilitate optional application for the Geni 4x. The duct kit contains an inner and outer duct made of durable-stiff paper board. There are no structural requirements for the ducts. The ducts can accommodate from a 2" up to a 17" span between stud walls, floor or ceiling joists. Do not install in a fire rated wall or ceiling. Refer to your local building code.

### Duct Assembly Kit includes:

- One set of stiff paper board ducts that fit within each other with capabilities to expand to 17"
- One (1) 4"x10" wall or ceiling grille
- One (1) 4 ½" x 10 ¼" paper template
- Four (4) mounting screws, provided in the enclosed envelop
  - For fastening into wallboard or wood, no pre-drilling is required.
  - Install the screws -with an ordinary Phillips screwdriver

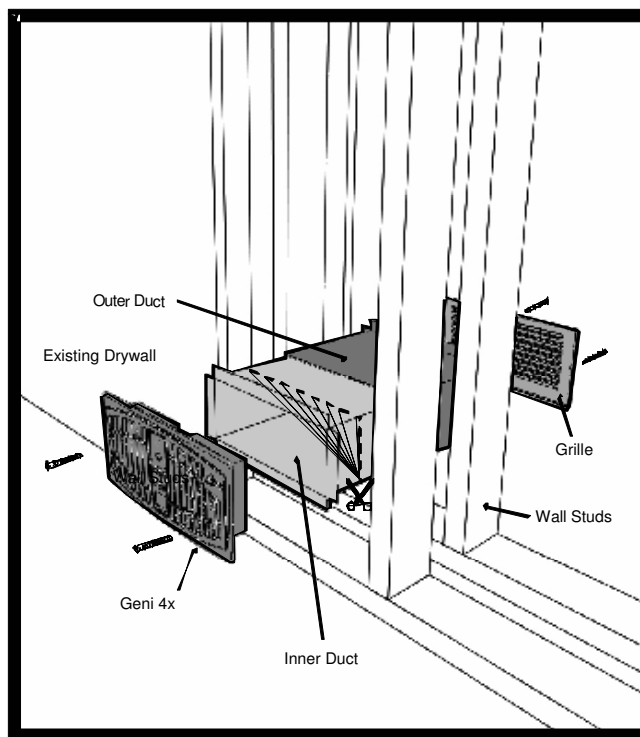
### Tools required:

- Dry wall saw
- Phillips screwdriver
- Utility knife
- Level
- Pencil
- Tape measure or ruler
- Drill and 3/16" drill bit



ComfortGeni LLC, 1427 W. 86<sup>th</sup> St. Suite 328, Indianapolis, IN 46260  
[www.comfortgeni.com](http://www.comfortgeni.com)

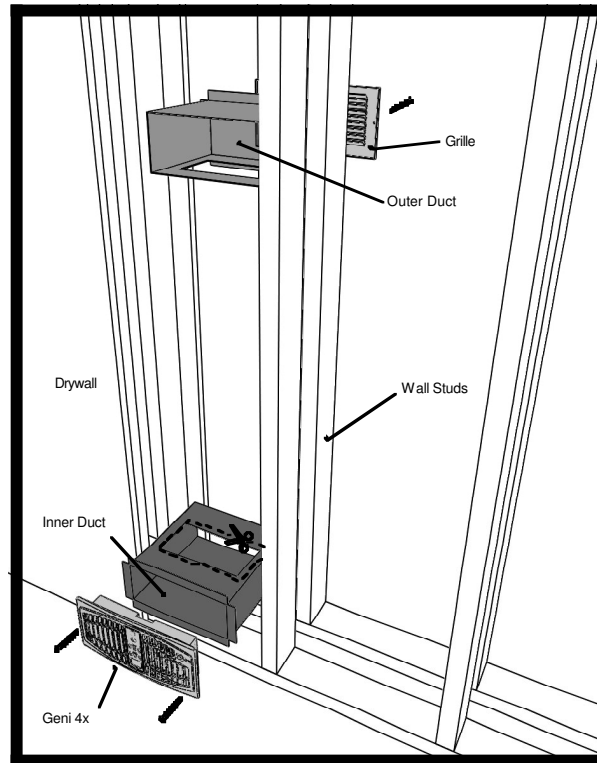
## Installation Notes—Room-to-Room-Direct Flow Application – refer to sketch for clarification



Room-to-Room Direct Flow Application Geni 4x

- Do not install in a fire rated wall or ceiling. Refer to your local building code.
- Determine wall location making sure there are no obstructions inside the stud wall.
- Determine if the fan unit is to be in an upper or lower wall location
- It is preferred to locate the Geni 4x near an electrical wall outlet.
- Determine the center between the studs in the wall and mark the 4"x10" location using the level. Using the 4 1/2" x 10 1/4" template mark the wall opening. NOTE: The location should be at least 6" above floor or 6" below the ceiling whichever the case may be.
- Using the dry wall saw cut the opening in the dry wall.
- Slide the inner duct through the wall and locate at the opposite dry wall. Mark the opposite wall (4"x10" opening) using the inner duct as a guide. Drill holes in the four corners of the marked area. This will locate the duct at the opposite wall.
- Locate the opening on the opposite wall, align the 4 1/2" x 10 1/4" template and mark the opening. Using the dry wall saw cut the opening in the dry wall.
- Install the inner and outer duct and adjust to the correct spacing. Trim to the correct spacing with utility knife. NOTE: It may not be necessary to use both the inner and outer ducts if the spacing is narrow. One duct will interface with both the fan and grille
- On the back of the Geni 4x locate the mounting points on the back of the fan cover and drill out with a 3/16" drill bit. Refer to Geni 4x instruction sheet.
- With inner and outer duct installed (or using only one duct sleeve) slide the Geni 4x fan into place and attach with screws provided.
- Install the grille on the opposite side of the wall using the screws provided.

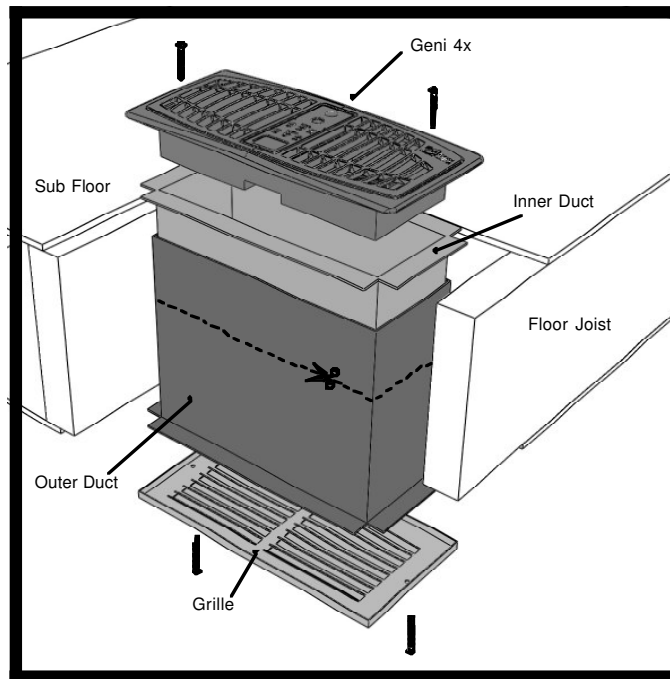
## Installation Notes—Room-to-Room Stud Wall Flow Application – refer to sketch for clarification



Room-to-Room Wall Stud Flow Application Geni 4x

- Do not install in a fire rated wall or ceiling. Refer to your local building code.
- Determine wall location making sure there are no obstructions inside the stud wall
- Determine if the discharge is to be located in a high or low position. Typical installations will have the discharge fan low with the intake grille high
- It is preferred to locate the Geni 4x near an electrical wall outlet.
- Determine the center between the studs in the wall and mark the 4"x10" location using the level. NOTE: The location should be at least 6" below the ceiling or 6" above the floor. Using the 4 ½" x 10 ¼" template, mark the opening. Using the dry wall saw cut the opening in the dry wall.
- For installation of the grille, determine the location for the opening on the opposite wall centering between the studs in the wall. NOTE: The location should be at least 6" below the ceiling or 6" above the floor. Ensure the grille location in the same stud opening as the fan. Using the 4 ½" x 10 ¼" template, mark the opening. Using the dry wall saw cut the opening in the dry wall.
- To optimize the air flow from the grille to the Geni 4x fan discharge, install the outer duct at the grille side and cut an opening directed toward the fan. Using the inner duct, install at the Geni 4x fan location and cut an opening directed toward the grille. Using the utility knife adjust the length of each duct to fit in the stud wall opening-see included sketch for clarification.
- On the back of the Geni 4x locate the mounting points on the back of the fan cover and drill out with a 3/16" drill bit. Refer to Geni 4x instruction sheet.
- With inner duct installed, slide the Geni 4x fan into place and attach with screws provided.
- Using the outer duct install the grille on the opposite side of the wall using the screws provided.

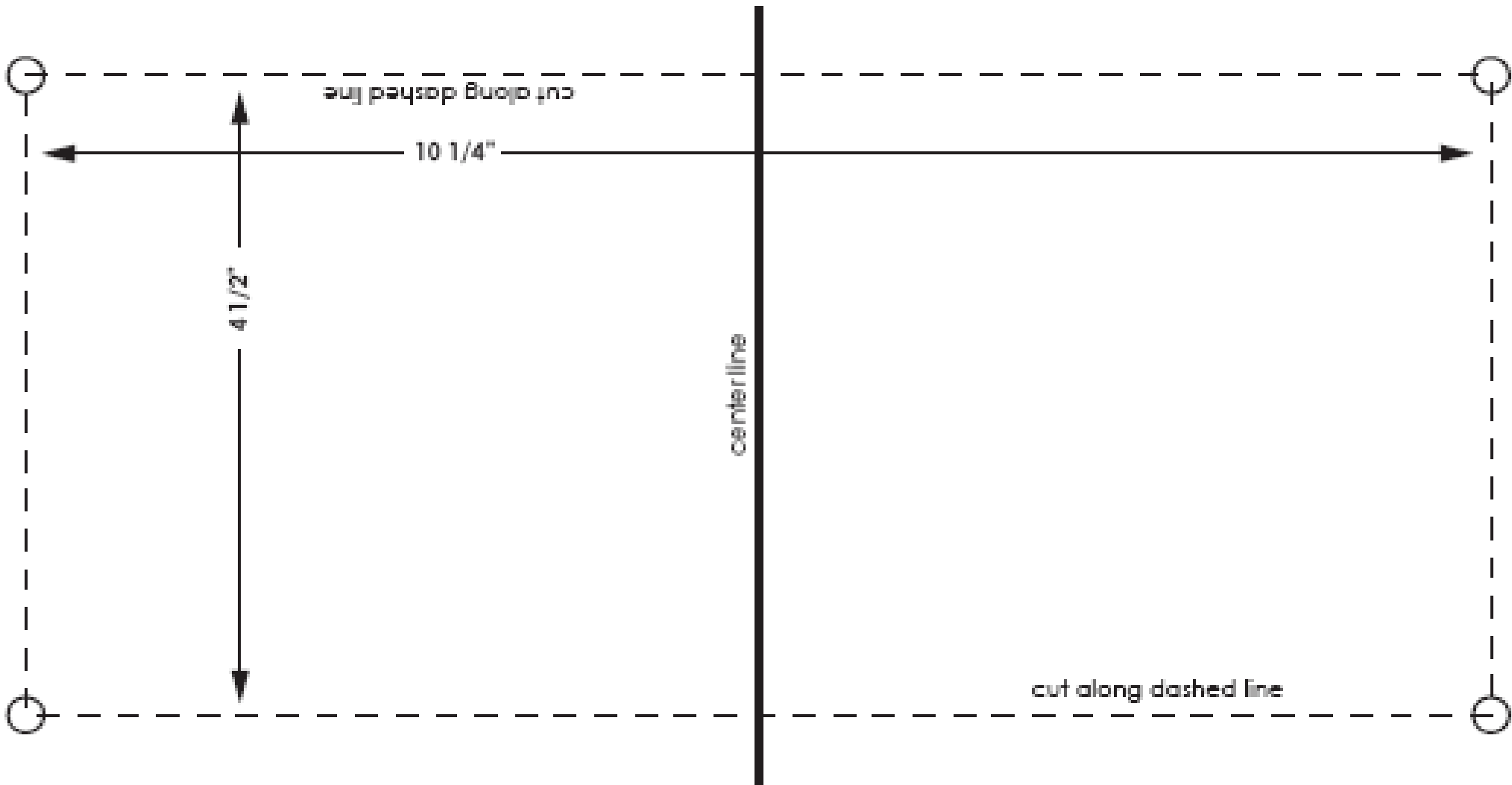
## Installation Notes—Level-to-Level Direct Application – refer to sketch for clarification



Floor-to-Ceiling Direct Flow Application Geni 4x

- Do not install in a fire rated wall or ceiling. Refer to your local building code.
- Determine location making sure there are no obstructions inside the floor joist.
- Decide if you want a down flow or up flow discharge.
- It is preferred to locate the Geni 4x near an electrical wall outlet.
- You will need to locate the air flow channel from the ceiling to the floor. Mark the ceiling at the desired location. Cut a small hole in the ceiling which will allow you to inspect inside the joist area and to locate the floor above.
- Locate the ceiling opening in the floor above. HINT: You can drill a small hole up through the floor and using a rod or long screw driver, push up through the sub floor and carpeting in order to locate the lower ceiling position opening.
- After the ceiling and floor locations have been established, use the 4 ½" x 10 ¼" template to mark the opening in the ceiling directly below the floor location. . Using the dry wall saw cut the opening in the dry wall.
- Slide the outer duct through the ceiling opening and locate at the bottom of the sub floor. Mark under the sub floor the 4"x10" opening using the outer duct as a guide. Drill holes in the four corners of the marked area. This will locate the duct at the floor level.
- At the floor level, place the 4 ½" x 10 ¼" template over the four drilled holes and mark where the opening is to be cut. NOTE: If necessary, remove carpeting.
- With the opening properly marked, cut the opening in the floor. This opening should be aligned with the ceiling opening below.
- Slide the inner duct in the floor opening and place the Geni 4x fan in the inner duct.
- At the ceiling location, slide the outer duct into the inner duct from the floor above. Using the utility knife, cut the ducts to properly mate from the floor to the ceiling. Place the grille over the opening and attach with the two screws provided.

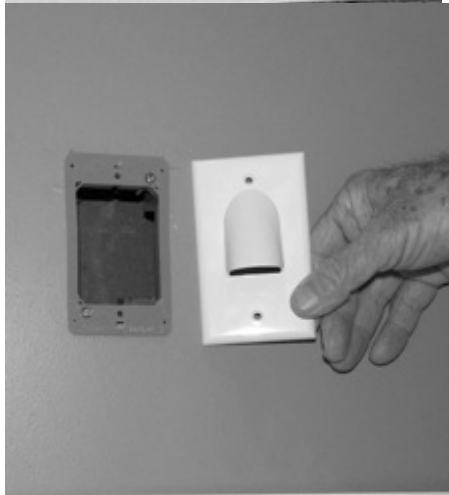
NOTE: If the Geni 4x is installed in the ceiling, you will need to purchase a floor register for the floor opening.—do not use the grille as a floor register.



ComfortGeni<sup>4x</sup>

Wall Template  
Product: ComfortGeni-4x

**Examples of power cord feed hardware**



**Examples of power cord routing**



**Installation near wall outlet**