



Duct Assembly Kit--for ComfortGeni---Model: Geni 6xr booster fan.

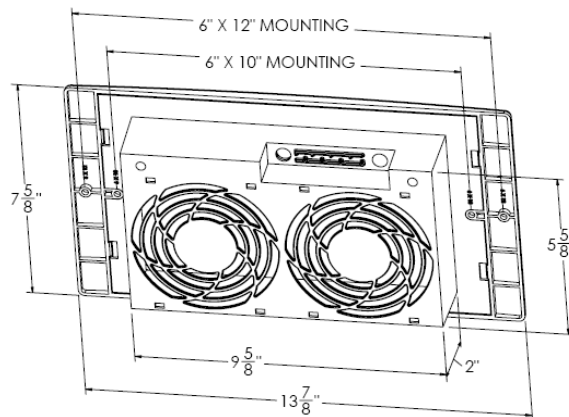
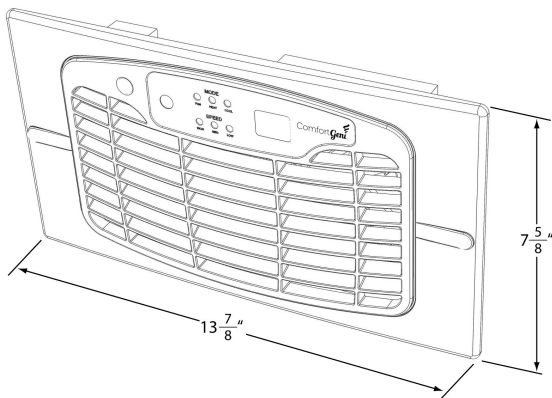
The purpose of the duct kit is to facilitate optional applications for the Geni 6xr. The duct kit contains an inner and outer duct made of durable-stiff paper board. There are no structural requirements for the ducts. The ducts can accommodate from a 2" up to a 17" span between stud walls, floor or ceiling joists. Do not install in a fire rated wall or ceiling. Refer to your local building code.

Kit includes:

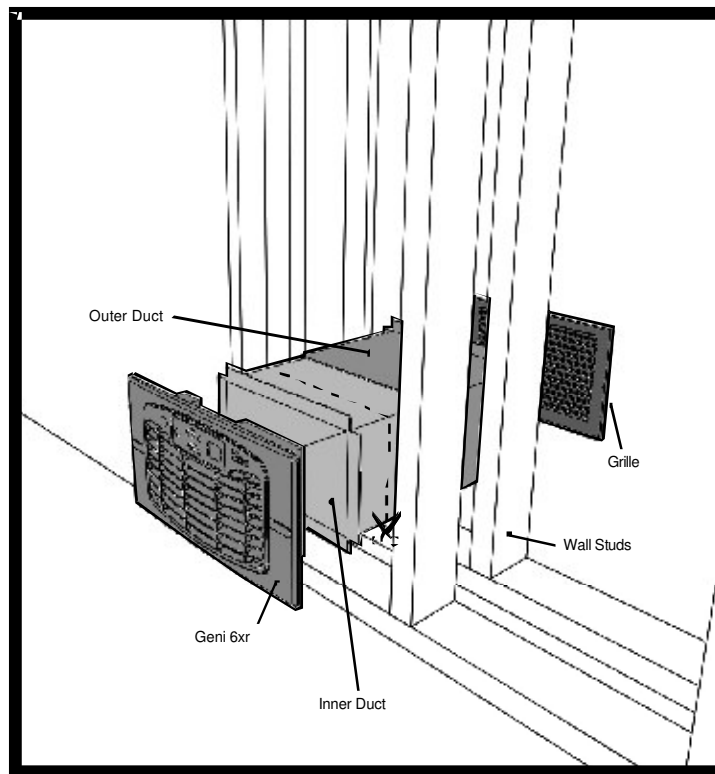
- One set of paper board ducts that fit within each other with capabilities to expand to 17"
- One (1) 6"x10" wall or ceiling grille.
- One (1) 6 3/8" x 10 3/8" paper template
- Four (4) mounting screws provided in enclosed envelop
 - For fastening into wallboard or wood, no pre-drilling is required.
 - Install the screws in with an ordinary Phillips screwdriver

Tools required:

- Dry wall saw
- Phillips screw drive
- Utility knife
- Tape measure or ruler
- Level
- Pencil
- Drill and 3/6" drill bit

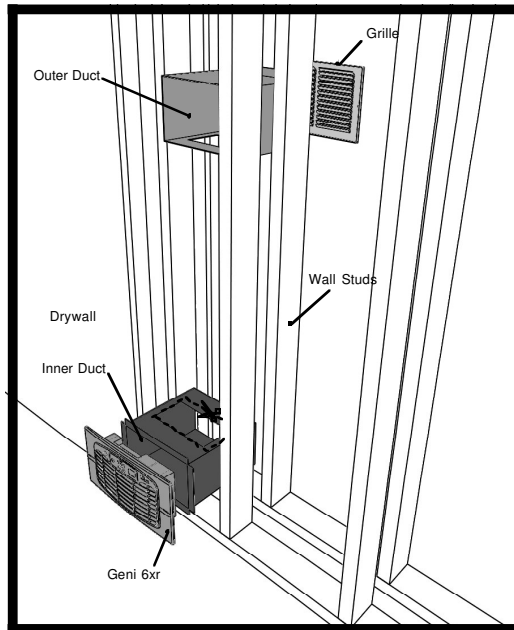


Installation Notes—Room to room direct flow application —refer to sketch for clarification



- Do not install in a fire rated wall or ceiling. Refer to your local building code.
- Determine wall location making sure there are no obstructions inside the stud wall
- Decide if you want the fan unit to be in the upper wall or lower wall location
- It is preferred to locate the Geni 6xr near an electrical wall outlet.
- Determine the center of the stud wall and mark the 6"x10" location using the 6 3/8" x 10 3/8" template. Center the template and position using a level. Mark the location using the template. Using a dry wall saw cut a hole in the dry wall 6 1/2" wide and 10 3/8" long.
- Now slip the inner duct through the wall and locate at the opposite dry wall. Mark the opposite wall (6"x10" opening) using the inner duct as a guide. Drill holes in the four corners of the marked area. This will locate the duct at the opposite wall.
- Locate the opening on the opposite wall, line up the grille location using the template. Mark the location using the 6 3/8" wide and 10 3/8" long template and level. . Using the dry wall saw cut the opening.
- Install the inner and outer duct and adjust to the correct spacing. Trim to the correct spacing with utility knife. NOTE: It may not be necessary to use both the inner and outer ducts if the spacing is narrow. One duct will interface with both the fan and grille
- Looking at the back of the Geni 6xr find the mounting points on the back of the fan grille and drill out with a 3/16" drill bit. Refer to Geni 6xr instruction sheet. 6"x12" spacing is recommended.
- With inner and outer duct installed or if just using one duct, slide in the Geni 6xr fan and attach with screws provided.
- Install the grille on the opposite side of the wall using the screws provided.

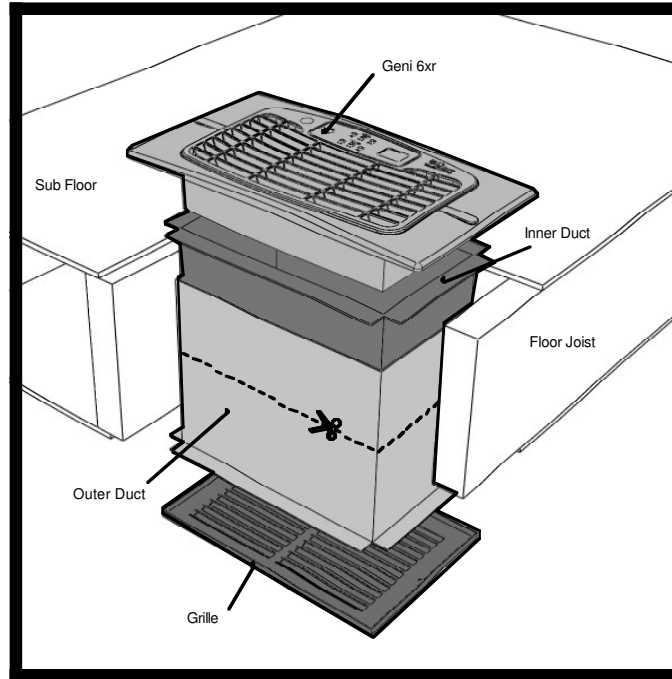
Installation Notes—Room to room stud wall flow application - refer to sketch for clarification



Room-to-Room Wall Stud Flow Application 6"x10" 6xr

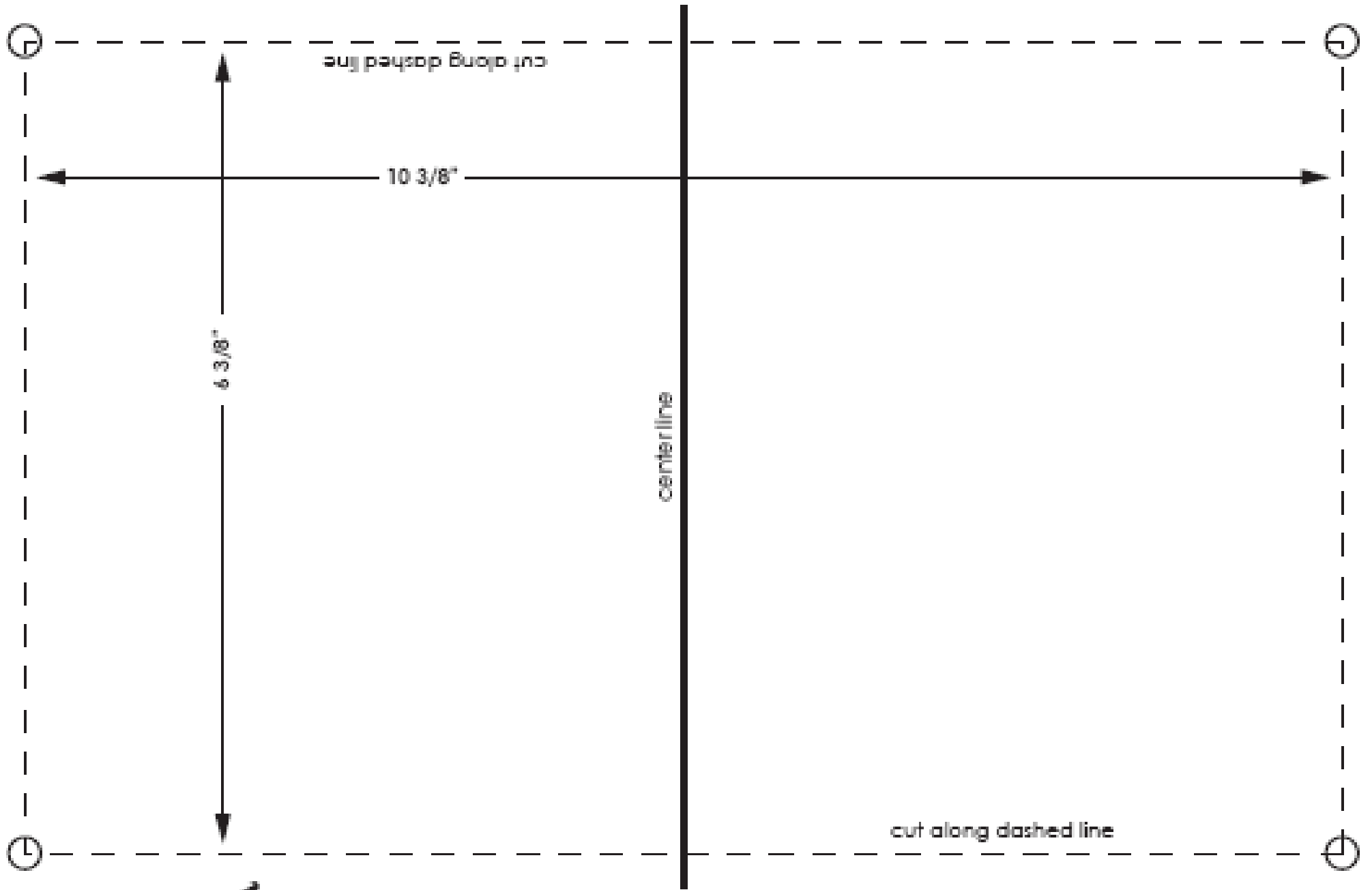
- Do not install in a fire rated wall or ceiling. Refer to your local building code.
- Determine wall location making sure there are no obstructions inside the stud wall
- Decide if you want a high or low discharge. Typical installations will have the discharge fan low and the intake grille high
- It is preferred to locate the Geni 6xr near an electrical wall outlet.
- Determine the center between the studs in the wall and mark the 6"x10" location using a level. The location should be at least 6" from the ceiling or floor, whichever ever the case may be. Using the 6 3/8" x 10 3/8" template and a level mark the location for the opening. Using a dry wall saw cut the opening in the dry wall.
- For installation of the grille, determine the location for the opening on the opposite wall centering between the studs in the wall. NOTE: The location should be at least 6" below the ceiling or 6" above the floor. Ensure the grille location is in the same stud opening as the fan. Using the 6 3/8" x 10 3/8" template, mark the opening. Using a dry wall saw cut the opening in the dry wall.
- To optimize the air flow from the grille to the Geni 6xr fan, install the outer duct at the grille side and cut an opening directed towards the fan.
- Using the inner duct, install at the Geni 6xr fan location and cut an opening directed towards the grille.
- Using the utility knife adjust the length of each duct to fit in the stud wall opening. See included sketch for clarification.
- Looking at the back of the Geni 6xr locate the mounting points on the back of the fan cover and drill out with a 3/16" drill bit. Refer to Geni 6xr instruction sheet. 6"x12" spacing is recommended.
- With the inner duct installed, slide in the Geni 6xr fan and attach with screws provided.
- Using the outer duct install the grille on the opposite side of the wall using the screws provided.

Installation Notes—Level to level application - refer to sketch for clarification



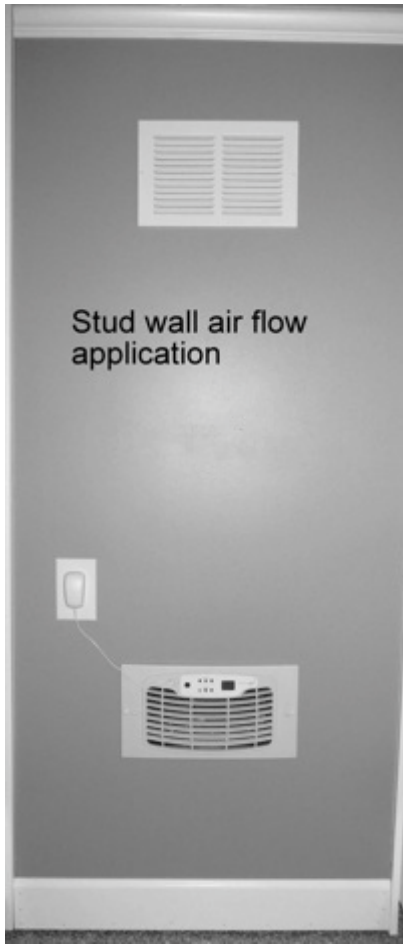
Floor-to-Ceiling Direct Flow Application Geni 6xr

- Do not install in a fire rated wall or ceiling. Refer to your local building code.
- Determine location making sure there are no obstructions inside the floor joist.
- Decide if you want a down flow or up flow discharge.
- It is preferred to locate the Geni 6xr near an electrical wall outlet.
- You will need to locate the air flow channel from the ceiling to the floor above. Mark the ceiling at the desired location. Cut a small hole in the ceiling which will allow you to inspect inside the joist area and to locate the floor above.
- Locate the ceiling opening in the floor above. Drill a small hole up through the floor and using a rod or long screw driver, push up through the sub floor and carpeting in order to locate the lower ceiling position opening.
- After the ceiling and floor locations have been established, use the template and cut a 6 3/8" x 10 3/8" hole in the ceiling directly below the floor location
- Now slip the outer duct through the ceiling and locate at the bottom of the sub floor. Mark under the sub floor the 6"x10" opening using the outer duct as a guide. Drill holes in the four corners of the marked area. This will locate the duct at the floor level.
- If necessary, remove carpeting
- Using the four holes in the floor, use the template to cut a 6 3/8" x 10 3/8" hole in the floor. This should match up with the ceiling opening below.
- Slide the inner duct in the floor and place the Geni 6xr fan in the opening
- At the ceiling location, slide the outer duct into the inner duct from the floor above. Using the utility knife, cut the ducts to properly mate from the floor to the ceiling. Place the grille over the opening and attach with the two screws provided.
- If the Geni 6xr is installed in the ceiling, you will need to purchase a floor register for the above floor opening.—do not use the grille as a floor register.



ComfortGeniTM

Wall Template
Product: ComfortGeni-6xr



Below and to the right are examples of low voltage power routing accessories available at local hardware stores in the audio/video department.

A 10 ft extension cord is available for extended runs to wall outlets.

